

**Section A**

Answer **all** questions in this section.

**A1** On the right is shown an isometric pictorial drawing of an octagonal pencil holder. These pencil holders are placed in all the guests' bedrooms in a hotel.

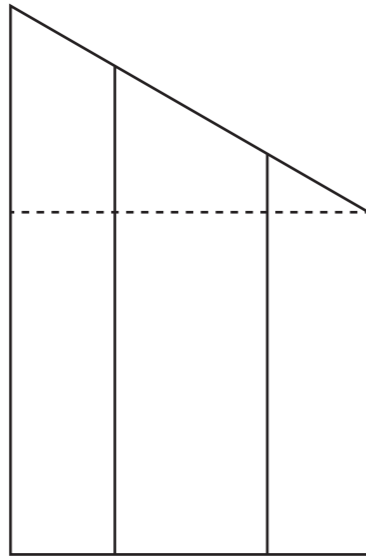
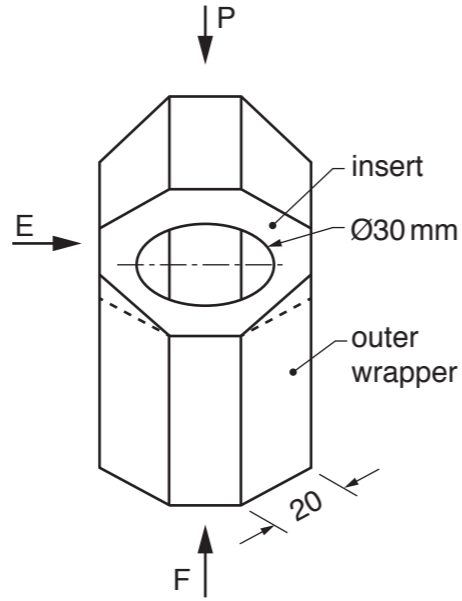
The outer wrapper and the insert of the pencil holder are printed onto two pieces of card.

These are sent out 'flat packed' to customers. (Note the pencil holder does **not** have a bottom.)

(a) In the space below, complete the following 'first angle' **orthographic views** of the pencil holder. (The **end view** has been completed for you.)

(i) A **front view** in direction of arrow 'F'. [6]

(ii) A **plan** in direction of arrow 'P'. [5]



Front view

End view

Plan

Scale 1:1

**7048/01** October/November 2019 **2 hours 30 minutes**  
© UCLES 2019 DC (JM/SW) 164385/4

Centre Number .....

Candidate Number .....

Candidate Surname .....

Other Names .....

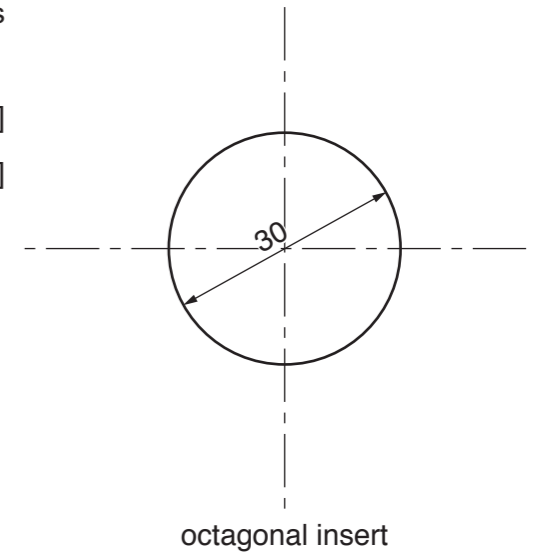
**[Turn over]**

(b) In the space below, draw a full size **development (net)** of the pencil holder outer wrapper.  
Use the correct convention for fold lines, cut lines and a glue tab. [9]

(c) In order for the pencil holder to keep its shape an octagonal insert is fitted. Complete the drawing of the insert by adding:

(i) the octagon [3]

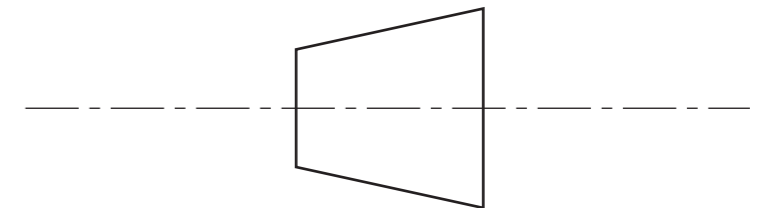
(ii) suitable glue tabs. [2]



(d) As the pencil holders have to be assembled by the customer, glue has been found to be too messy. Name an alternative method of joining that could be used.

.....  
..... [2]

(e) Complete the symbol for **First Angle Projection**. [3]



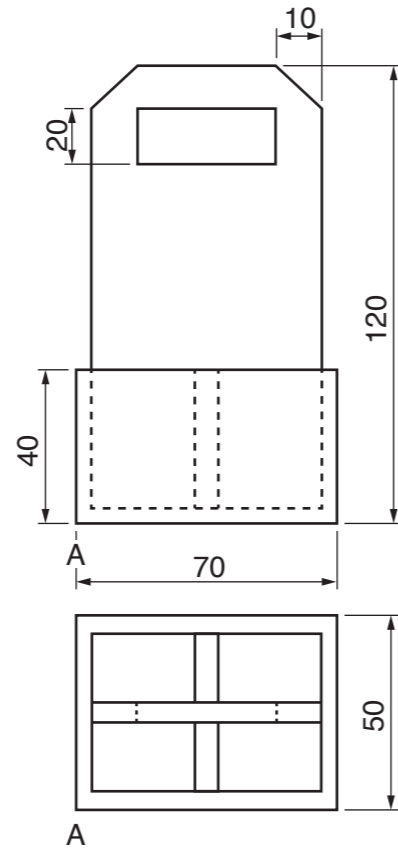
For Examiner's use

A	
B	
B	
Total	

**Section B**

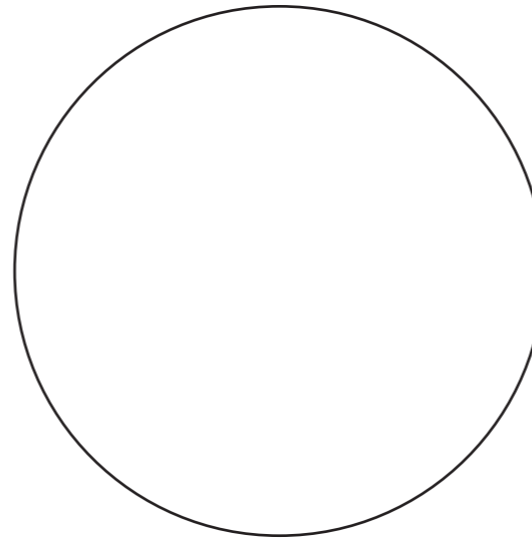
Answer any **two** questions from this section.

- B2 (a)** The orthographic drawing on the right shows a container to hold four sauce bottles, to be placed on restaurant tables.  
On the isometric axes below, complete a full size isometric drawing of the container with the corner 'A' on the given point 'A'.  
The thickness of the material is 5 mm. [9]

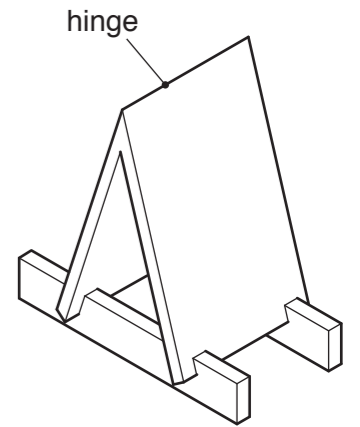


- (b)** A survey of the cars sold at a garage over a twelve month period showed that the most popular colours were:  
**White – 90, Black – 75, Grey – 60, Blue – 60, Red – 45 and Silver – 30.**

- (i) On the circle below, construct a **pie chart** to display this information. [4]  
(ii) Add a suitable key to your solution. [2]



- (c)** The drawing on the right shows an advertising board to be made from three pieces of **'foam board'**.



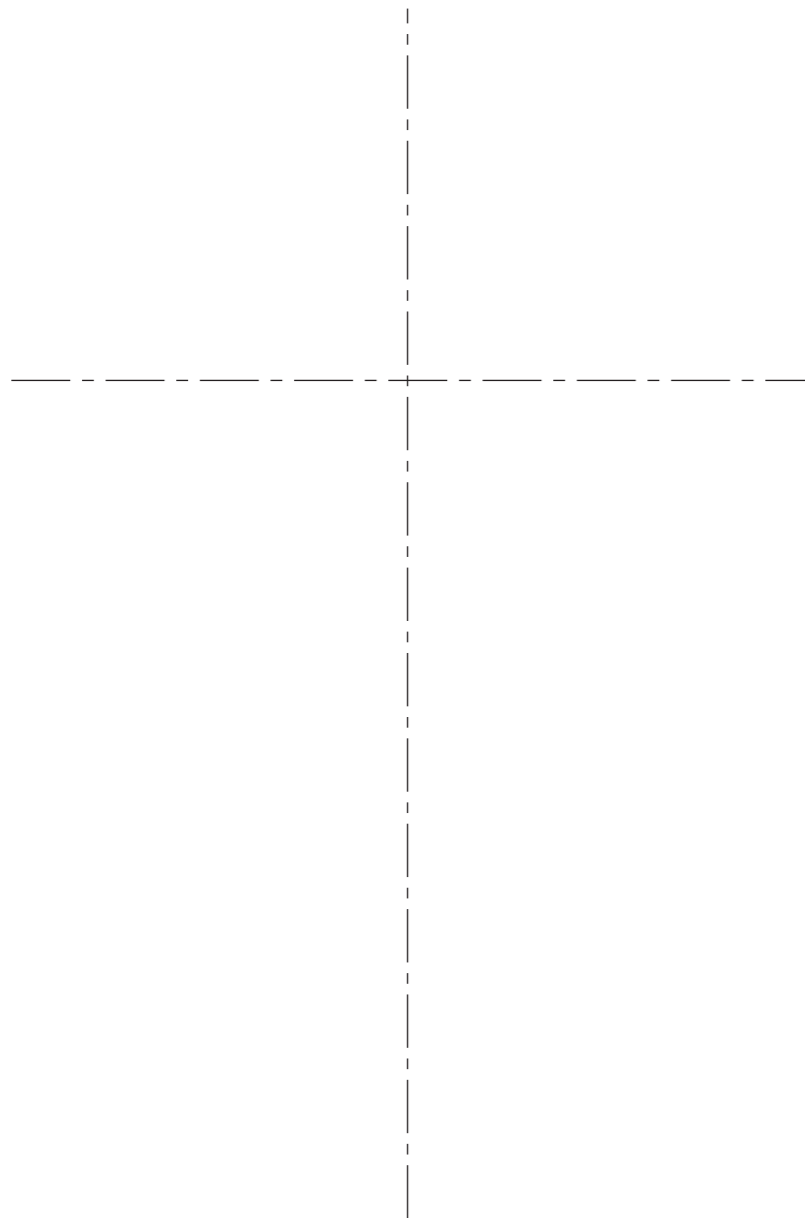
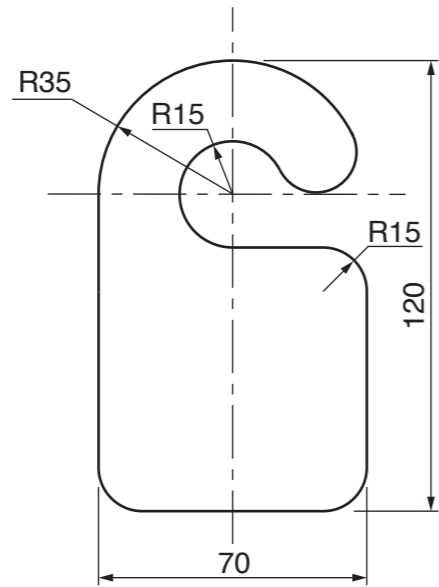
- (i) In the space below, draw a cross section through a piece of 'foam board' to show its construction. [2]

- (ii) The faces of the advertising board are to be made from one piece of foam board with a hinge in the centre.  
In the space below, show how a piece of foam board could be cut to make the required hinge. [4]

- (iii) Complete the list below by adding the names of four tools used to mark out and cut out the foam board. [4]

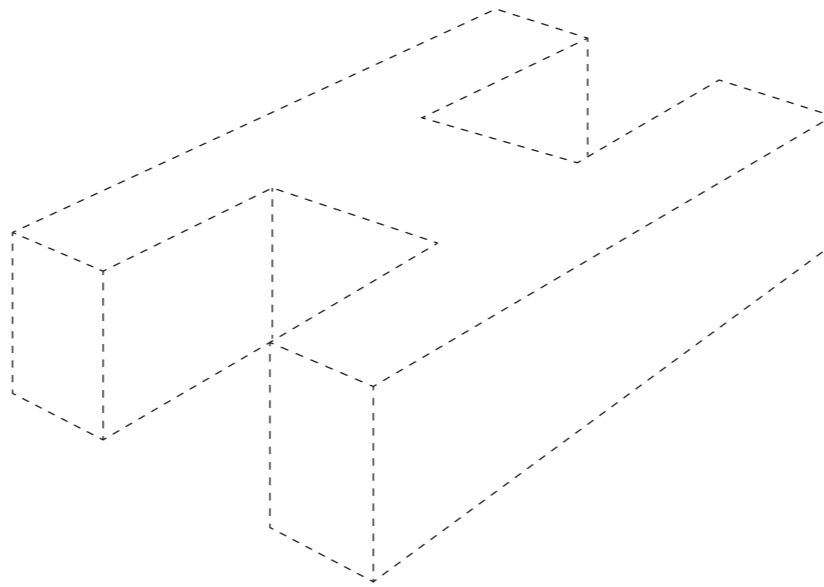
- 1 .....
- 2 .....
- 3 Cutting mat.....
- 4 .....
- 5 .....

**B3 (a)** The drawing on the right shows the outline of a sign to be hung on a hotel door. Using the given centre lines, construct a full size drawing of the sign. [9]

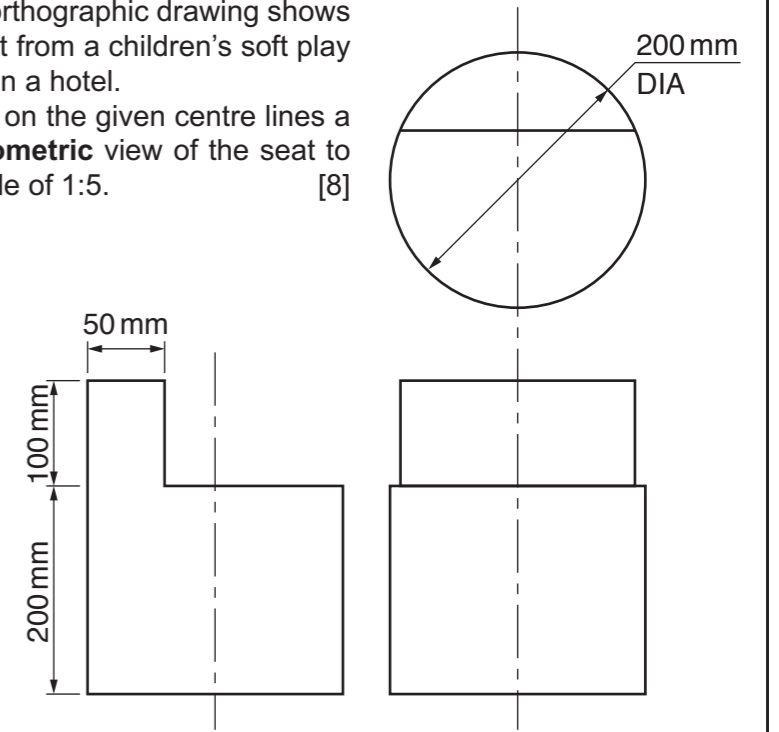


**(b)** The freehand drawing below shows the letter 'H' from a hotel sign. The letter is made from Acrylic (Perspex).

- (i) Enhance the drawing by using the 'thick and thin' line technique. [4]
- (ii) Render the drawing to show that it is made from a shiny (reflective) material. [4]



**(c)** The orthographic drawing shows a seat from a children's soft play area in a hotel. Draw on the given centre lines a **planometric** view of the seat to a scale of 1:5. [8]

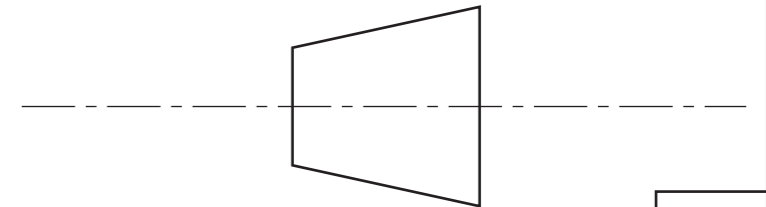
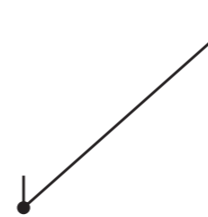
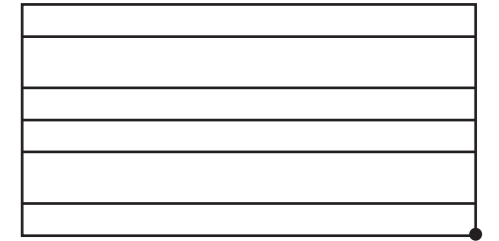


**B4 (a)** The third angle orthographic drawing on the right shows a chocolate bar provided for hotel guests.

- (i) Below, complete the estimated two point perspective drawing of the chocolate bar using the given front corner shown with bold 'dot'. [10]
- (ii) Complete the symbol for third angle projection. [3]

VP<sub>1</sub>  
+

VP<sub>2</sub>  
+



Symbol for third angle projection.

**(b)** The number of guests staying at the hotel is:

**Monday: 60, Tuesday: 65, Wednesday: 70,  
Thursday: 60, Friday: 45, Saturday: 30 and Sunday: 30.**

- (i) In the space below, construct a **3D Bar-chart** to display the information. [4]
- (ii) Use shading or colour to enhance your drawing. [2]

**(c)** In order to prevent the loss of keys the hotel attaches an elliptical tag to each key. On the given centre lines, construct an ellipse with a major axis of 140 mm and a minor axis of 80 mm. Do **not** draw the keying or key. [6]

